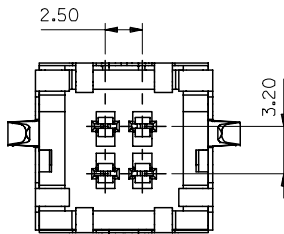
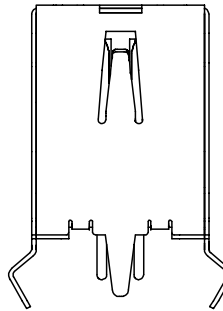
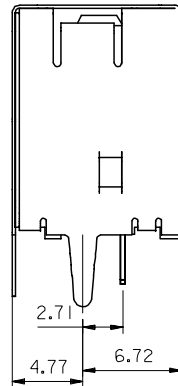
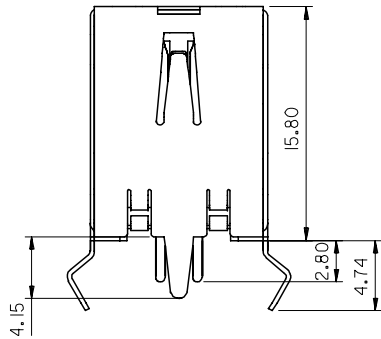
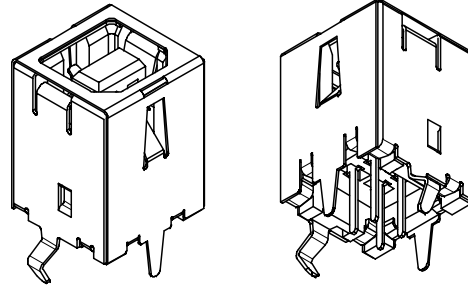
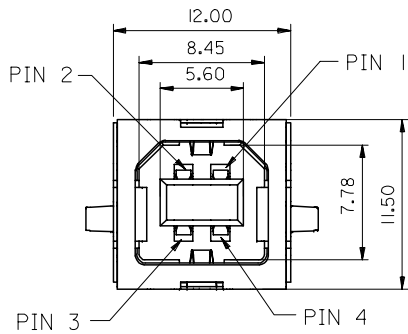
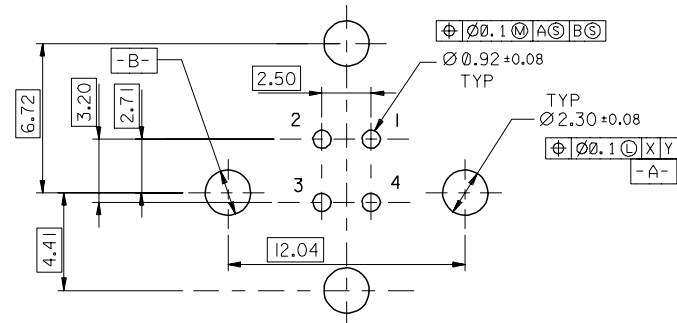


10 9 8 7 6 5 4 3 2 1



NOTES :

1. MATERIAL :  
 HOUSING : POLYESTER ,UL94V-0 ,  
 COLOR:BLACK, OR WHITE  
 TERMINAL : PHOSPHOR BRONZE (PhBr)  
 METAL SHELL : COPPER ALLOY
2. PLATING :  
 TERMINAL :  
 CONTACT AREA :  
 (a) GOLD FLASH.  
 (b) GOLD (Au), THICKNESS=30 MICROINCH /0.76 MICROMETER  
 SOLDER TAIL : (a) TIN-LEAD (90/10) ALLOY  
 ,THICKNESS=150 MICROINCH/3.8 MICROMETER  
 (b) PURE TIN PLATING,  
 THICKNESS=50 MICROINCH/1.27MICROMETER MINIMUM.  
 UNDER PLATE : NICKEL (Ni)  
 ,THICKNESS=50 MICROINCH /1.27 MICROMETER
- METAL SHELL :  
 (a) TIN-LEAD (Sn-Pb) ALLOY  
 ,THICKNESS=100 MICROINCH /2.54 MICROMETER  
 (b) PURE TIN PLATING,  
 THICKNESS =50 MICROINCH/1.27 MICROMETER MINIMUM.  
 UNDER PLATE : NICKEL (Ni)  
 ,THICKNESS=50 MICROINCH /1.27 MICROMETER
3. RECOMMENDED PCB THICKNESS : 1.60±0.05mm
4. PRODUCT SPECIFICATION : REFER TO PS-67998-0000



LEAD FREE EC NO: SH2005-0144 T1 DRWNRZHANG 2004/12/07 CHKD:HARVEY 2004/12/07 APPR:YTYAP 2004/12/07	QUALITY SYMBOLS ▽=0 ▽=0	GENERAL TOLERANCES (UNLESS SPECIFIED)		DIMENSION STYLE MM ONLY		SCALE 3:1	DESIGN UNITS METRIC	THIRD ANGLE PROJECTION			
		4 PLACES ± --- ± ---	3 PLACES ± --- ± ---	2 PLACES ± 0.25 ± ---	1 PLACE ± 0.25 ± ---	ANGULAR ± 3 °	DRAWN BY SAM SHIN	DATE 1998/12/21	TITLE USB B VERTICAL CONNECTOR (2 SHELLS)		
							CHECKED BY VL IN	DATE 1998/12/21	MOLEX INCORPORATED		
							APPROVED BY NEGA LIN	DATE 1998/12/21	DOCUMENT NO. SD-67265-002	SHEET NO. 1 OF 2	
DRAFT WHERE APPLICABLE MUST REMAIN WITHIN DIMENSIONS					SEE SHEET 2	THIS DRAWING CONTAINS INFORMATION THAT IS PROPRIETARY TO MOLEX INCORPORATED AND SHOULD NOT BE USED WITHOUT WRITTEN PERMISSION					

9 8 7 6 5 4 3 2 1

F

E

D

C

B

A

F

E

D

C

B

A

REFER TO PACKING DOC. NO. PK-67265-001 PACKING: TRAY SIZE : 360*360mm (150 PIECES)				REFER TO PACKING DOC. NO. PK-67265-001 PACKING: TRAY SIZE : 360*360mm (150 PIECES)			
P/N	COLOR	CONTACT PLATING	SHELL AND SOLDER TAIL PLATING	P/N	COLOR	CONTACT PLATING	SHELL AND SOLDER TAIL PLATING
67265-0000	BLACK	GOLD FLASH	TIN LEAD PLATING	67265-2000	BLACK	GOLD FLASH	PURE TIN PLATING (lead-free)
67265-0001	BLACK	0.76 MICROMETER/30 MICROINCH GOLD		67265-2001	BLACK	0.76 MICROMETER/30 MICROINCH GOLD	
67265-1000	WHITE	GOLD FLASH		67265-3000	WHITE	GOLD FLASH	
67265-1001	WHITE	0.76 MICROMETER/30 MICROINCH GOLD		67265-3001	WHITE	0.76 MICROMETER/30 MICROINCH GOLD	
REFER TO PACKING DOC. NO. PK-67265-002 PACKING: TRAY SIZE : 360*165mm (150 PIECES)				REFER TO PACKING DOC. NO. PK-67265-002 PACKING: TRAY SIZE : 360*165mm (150 PIECES)			
P/N	COLOR	CONTACT PLATING		P/N	COLOR	CONTACT PLATING	
67265-0200	BLACK	GOLD FLASH		67265-2200	BLACK	GOLD FLASH	
67265-0201	BLACK	0.76 MICROMETER/30 MICROINCH GOLD		67265-2201	BLACK	0.76 MICROMETER/30 MICROINCH GOLD	
67265-1200	WHITE	GOLD FLASH		67265-3200	WHITE	GOLD FLASH	
67265-1201	WHITE	0.76 MICROMETER/30 MICROINCH GOLD		67265-3201	WHITE	0.76 MICROMETER/30 MICROINCH GOLD	
REFER TO PACKING DOC. NO. PK-67265-003 PACKING: TUBE			REFER TO PACKING DOC. NO. PK-67265-003 PACKING: TUBE				
P/N	COLOR	CONTACT PLATING	P/N	COLOR	CONTACT PLATING		
67265-0300	BLACK	GOLD FLASH	67265-2300	BLACK	GOLD FLASH		
67265-0301	BLACK	0.76 MICROMETER/30 MICROINCH GOLD	67265-2301	BLACK	0.76 MICROMETER/30 MICROINCH GOLD		
67265-1300	WHITE	GOLD FLASH	67265-3300	WHITE	GOLD FLASH		
67265-1301	WHITE	0.76 MICROMETER/30 MICROINCH GOLD	67265-3301	WHITE	0.76 MICROMETER/30 MICROINCH GOLD		

LEAD FREE EC NO: SH2005-0144 DRAWN: ZHANG 2004/12/07 CHK: HARVEY 2004/12/07 APPR: YIYAP 2004/12/07 T REV	QUALITY SYMBOLS	GENERAL TOLERANCES (UNLESS SPECIFIED)	DIMENSION STYLE MM ONLY	SCALE 3:1	DESIGN UNITS METRIC	THIRD ANGLE PROJECTION
	$\nabla = 0$ $\sphericalangle = 0$	4 PLACES $\pm$ --- $\pm$ --- 3 PLACES $\pm$ --- $\pm$ --- 2 PLACES $\pm 0.25$ $\pm 0.10$ 1 PLACE $\pm 0.25$ $\pm 0.10$ ANGULAR $\pm 3^\circ$	DRAWN BY DATE SAM SHIN 1998/12/21 CHECKED BY DATE WILMIN 1998/12/21 APPROVED BY DATE MEGALIN 1998/12/21 MATERIAL NO.	TITLE USB B VERTICAL CONNECTOR (2 SHELLS)	MOLEX INCORPORATED	SHEET NO. 2 OF 2
	DRAFT WHERE APPLICABLE MUST REMAIN WITHIN DIMENSIONS	SEE CHART	DOCUMENT NO. SD-67265-002			
	THIS DRAWING CONTAINS INFORMATION THAT IS PROPRIETARY TO MOLEX INCORPORATED AND SHOULD NOT BE USED WITHOUT WRITTEN PERMISSION					